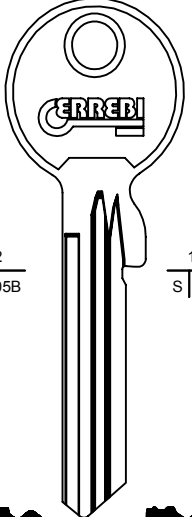
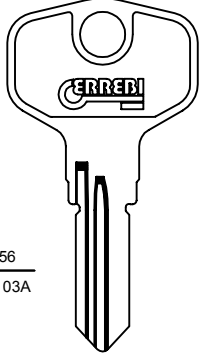
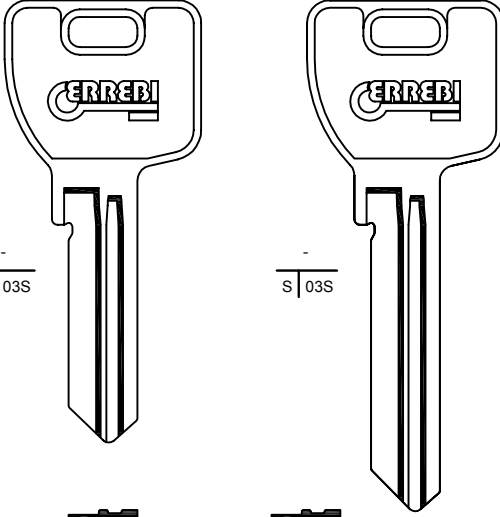
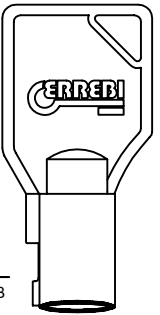
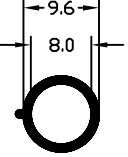
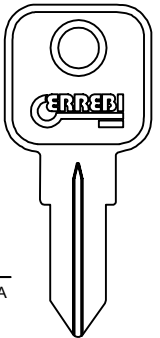
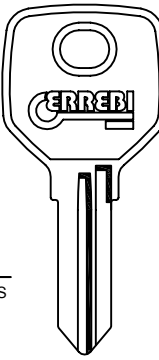
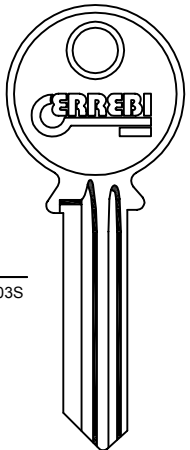


Errebi - news

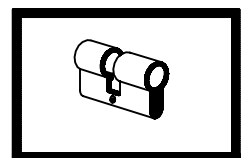
01
2019

PER/FOR:

BKS		BURG	MCM	
 <p>12 S 05B 12 S 05B</p> <p>KS58R KS77</p>		 <p>756 S 03A</p> <p>BG55R</p>	 <p>S 03S S 03S</p> <p>MD28 MD29</p>	
MERONI	MLM	RONIS	YALE (GB)	
 <p>S 13B</p>  <p>9.6 8.0</p> <p>MR23T</p>	 <p>581 S 03A</p> <p>MLM9</p>	 <p>S 03S</p> <p>R39</p> <p>STUV-WSS</p>	 <p>S 03S</p> <p>YG20R</p>	

BKS (DE)
BURG (DE)
MCM (ES)
MERONI (IT)
MLM (DE)
RONIS (FR)
YALE (GB)

ERREBI



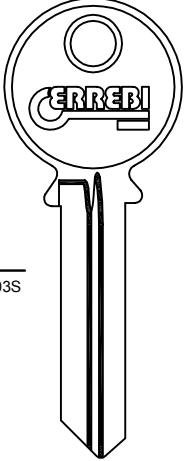
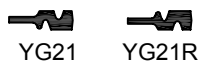
1

Errebi - news

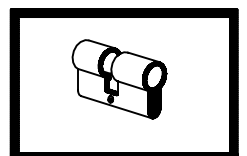
01
2019

PER/FOR:

YALE (GB)

YALE (GB)			
 <p>S 03S</p>  <p>YG21 YG21R</p>			

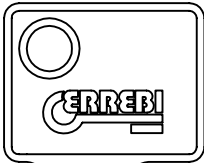
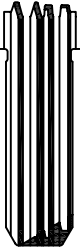
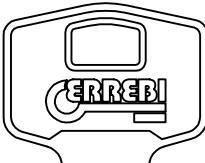

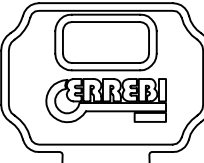
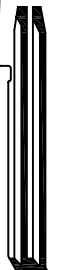
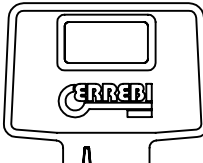

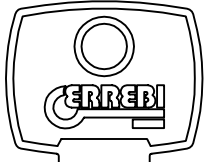

ERREBI



2

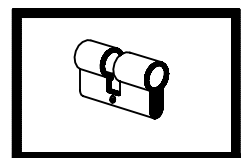
Errebi - news

01
2019

BURG	IBFM	LINCE	MUL.T.LOCK
 <p>B 06B</p> <p>BOCCIA 450</p>  <p>BG43</p>	 <p>946 B 06A</p>  <p>IBF2R</p>	 <p>B 06B</p>  <p>LI18R</p>	 <p>549 B 06B</p>  <p>MLT14R</p>
TILANCO			
 <p>B 06B</p>  <p>TLC1R</p>			

PER/FOR:

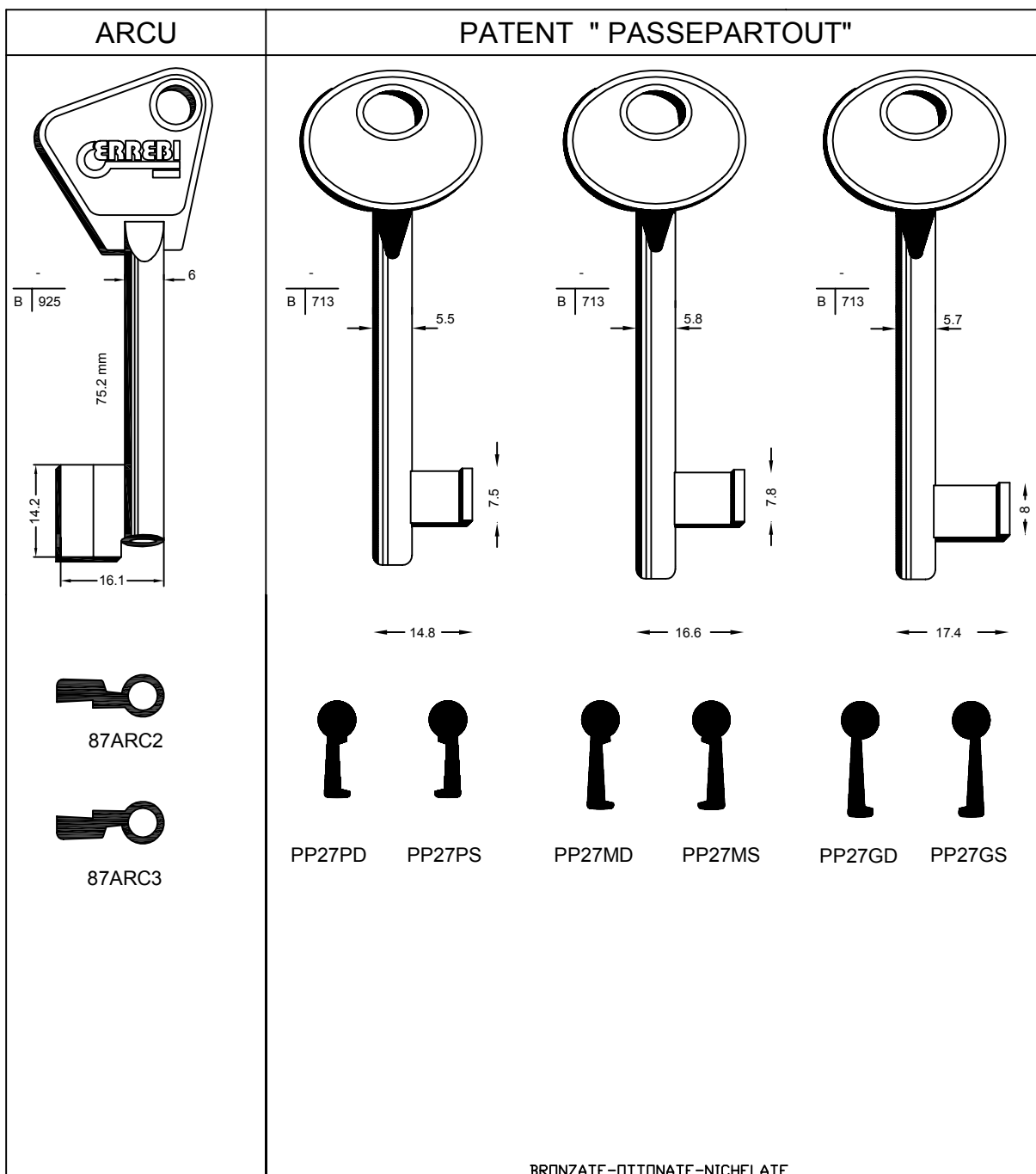
BURG (DE)
 IBFM (ES)
 LINCE (ES)
 MUL.T.LOCK (IL)
 TILANCO (CN-IT)



3

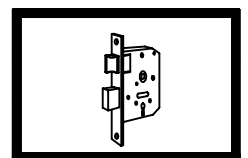
Errebi - news

01
2019



PER/FOR:

ARCU (ES)



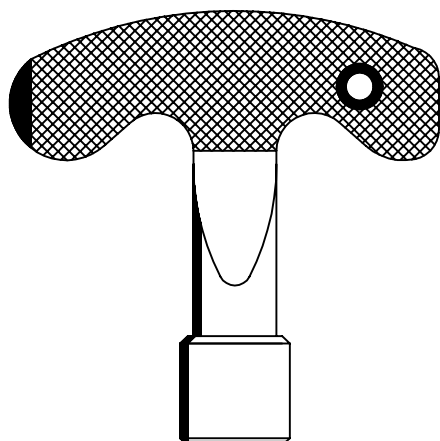
4

BRONZATE-OTTONATE-NICHELATE

PER/FOR:

CHIAVI PER SPORTELLI CAMINI

G 676

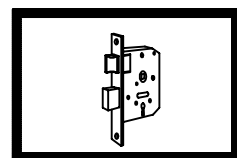


22T8



22T10

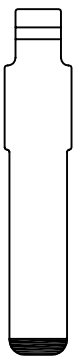
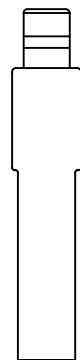
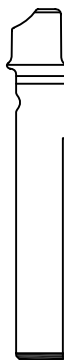
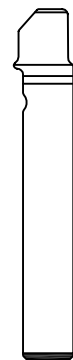




ERREBI



5

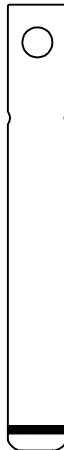
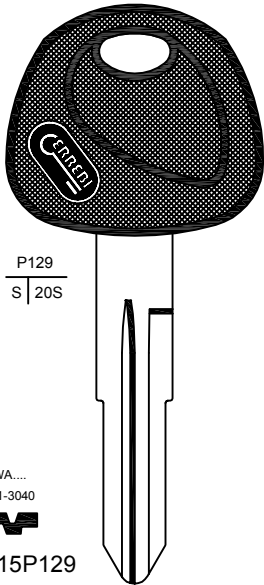
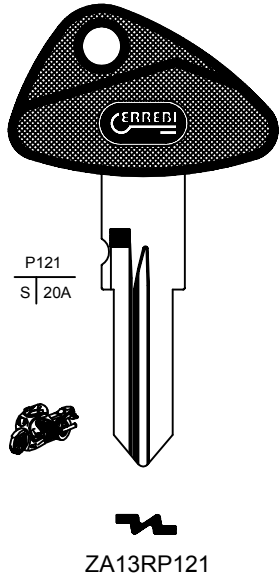



Errebi - news

01
2019

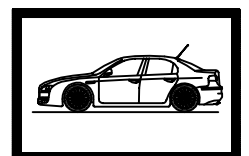
GIOBERT		HUF	
			
N 18G	N 18G	N 18G	N 18G
			
GB18C2	GB18C3	HF74C1	HF75C1

PER/FOR:

GIOBERT (IT)
HUF (DE)
HYUNDAI (KR)
ZADI (IT)

HYUNDAI		ZADI
		
B 18G	P129 S 20S	P121 S 20A
	WA.... 1001-3040 	
HYN14C1	HYN15P129	ZA13RP121

ERREBI



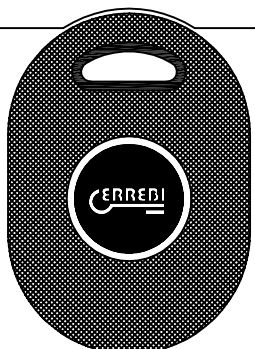






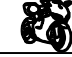






6

Errebi - news

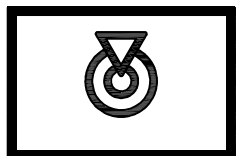
01
2019

PER/FOR:

GIOBERT (IT)
HONDA (JP)
HUF (DE)

 <p>A B 23B</p> <p>GIOBERT</p>  <p>GB18PA</p>	  <p>TX8</p>	 <p>P N 23B</p> <p>HONDA</p>  <p>HD62P</p>	  <p>TX4S</p>	 <p>P N 23B</p> <p>HUF</p>  <p>HF74P</p>	 <p>TX8</p>
 <p>P N 23B</p> <p>HUF</p>  <p>HF75P</p>	 <p>TX8</p>				

ERREBI



7