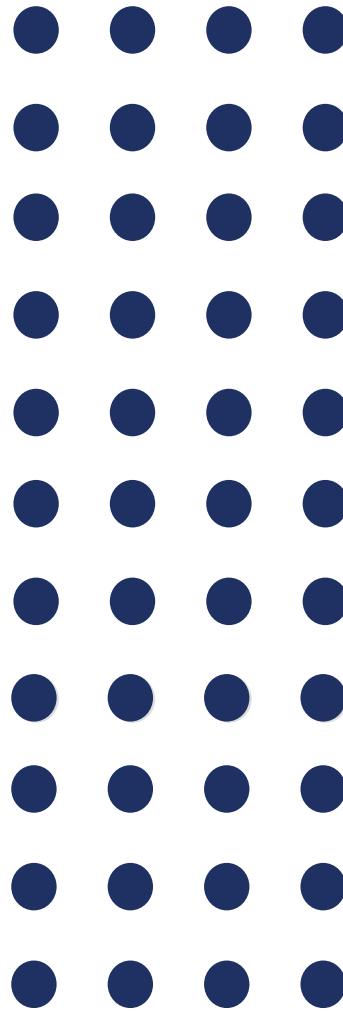


ERREBI NEWS

CHIAVI, GUIDA ALLA DUPLICAZIONE E ALTRE NOVITÀ
KEYS, DUPLICATION SYSTEMS AND MUCH MORE

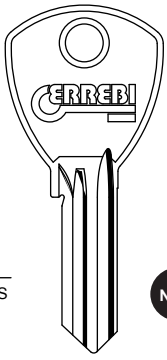


CHIAVI / GUIDA ALLA DUPLICAZIONE

KEYS / DUPLICATION SYSTEMS



FOR: ABUS®



B | 03S

NEW

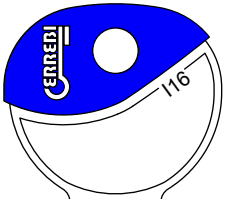


AU118R



FOR: ISEO®

FOR: YALE (I)®

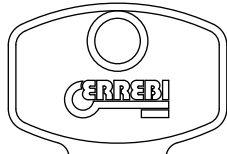


B | 63C

NEW



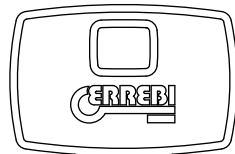
FC-116



B | 06A

NEW

Y134



B | 06A

NEW





Y135

ALTRI CAMBIAMENTI / OTHER CHANGES

REF.ERREBI	STATO ATTUALE CURRENT STATUS	ALTERNATIVA ALTERNATIVE
DI3	TOLTA DA CATALOGO	TLC1R
DM11	TOLTA DA CATALOGO	
DM11R	TOLTA DA CATALOGO	
DM75L	TOLTA DA CATALOGO	DM75LB



GUIDA ALLA DUPLICAZIONE / DUPLICATION SYSTEMS

FOR	ERREBI				
YALE®	YI34	DAKAR EVOLUTION	F5	T5	
	YI34	DAKAR UP	F5	T5	
	YI34	DAKAR MOVE	F5	T5	
	YI35	DAKAR EVOLUTION	F1	T1	
	YI35	DAKAR UP	F1	T1	
	YI35	DAKAR MOVE	F1	T1	

GUIDA ALLA DUPLICAZIONE / DUPLICATION SYSTEMS

MACCHINE / MACHINES



DAKAR



DAKAR UP

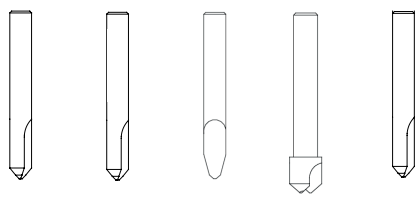


DAKAR MOVE

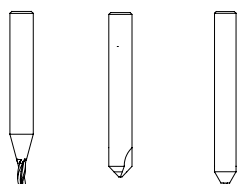


DAKAR MOVE GO

FRESE / CUTTERS

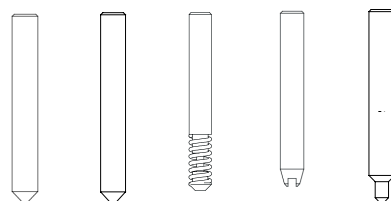


F1 F5 F12A F12B F23

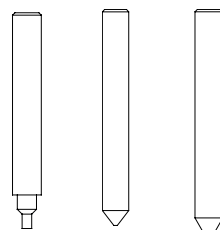


F33 F49W FS31

TASTATORI / TRACERS

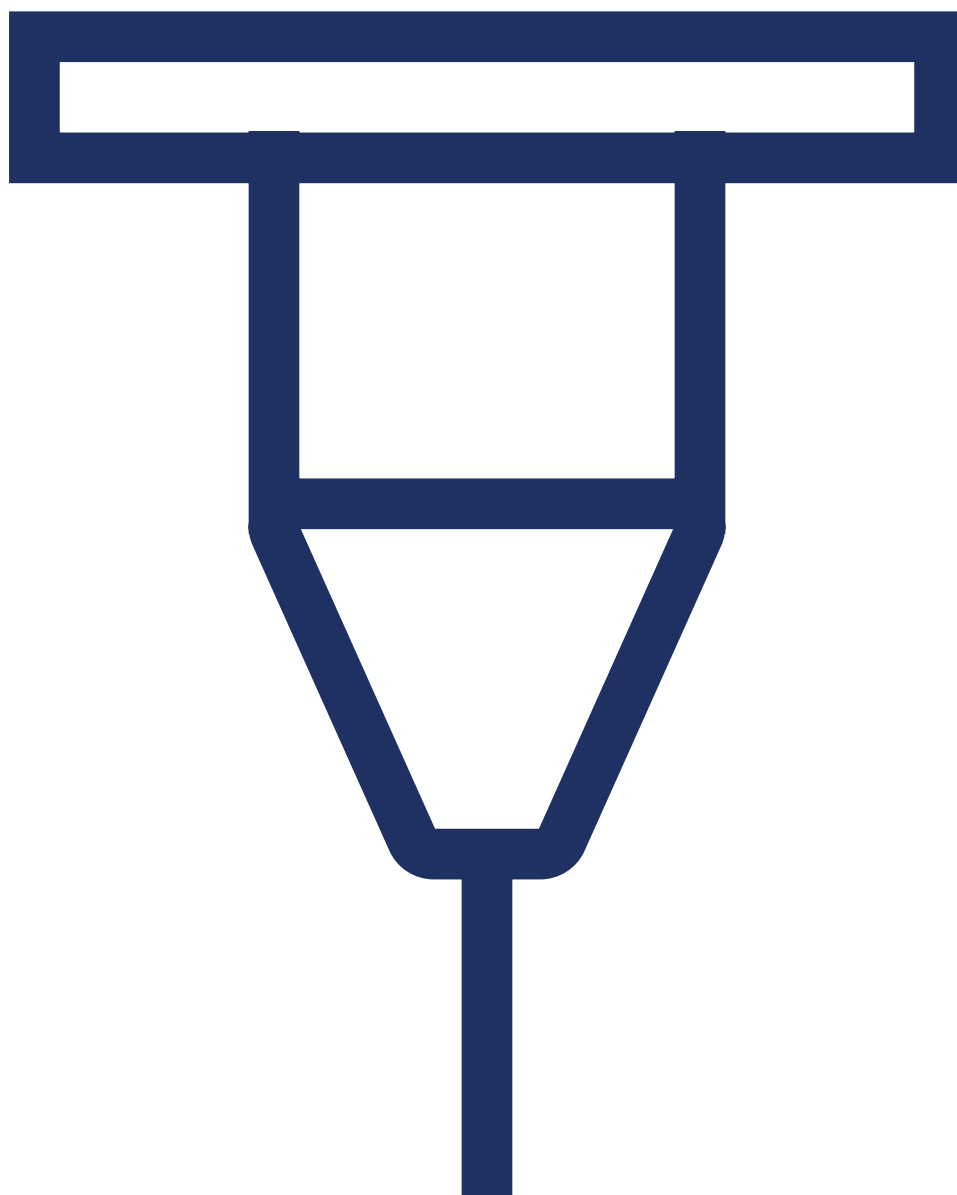


T1 T5 T12A T12B T23



T33 T49 TS31

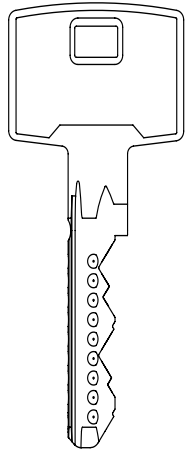
**MACCHINE DUPLICATRICI
ELETTRONICHE /
ELECTRONIC CUTTING
MACHINES**



AGGIORNAMENTI DEL CAT.MACCHINE

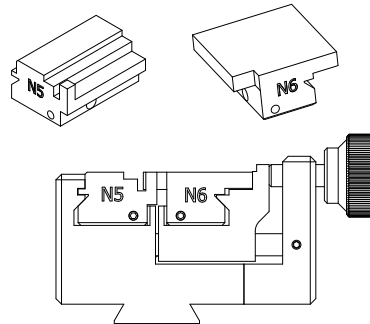
MACHINE CAT. UPDATES

FOR: ABUS®



MAGTEC 2500

N5-N6



4F



Trecode NXT

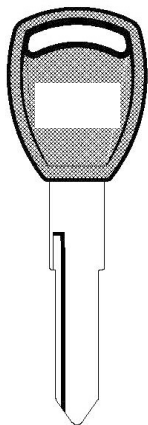
F40W



Novacode

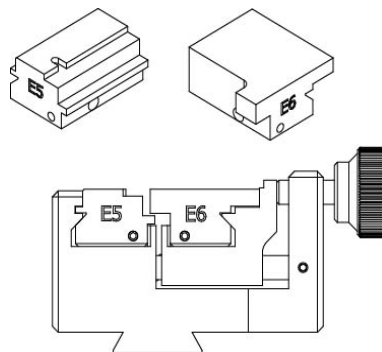


FOR: ABUS®



AU116RP

E5-E6



1F

STD



Trecode NXT

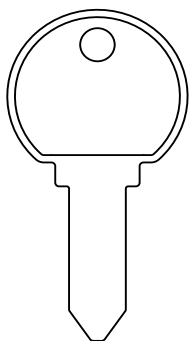
F-11W

STD



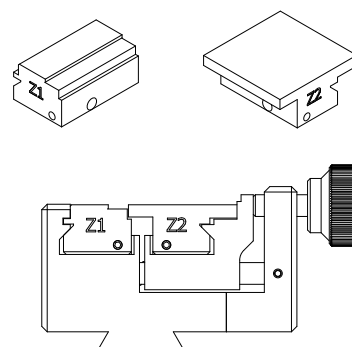
Novacode

FOR: ATLAS®



ATL-1

Z1-Z2



1F

STD



Trecode NXT

F-11W

STD

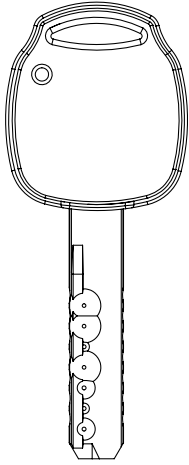


Novacode



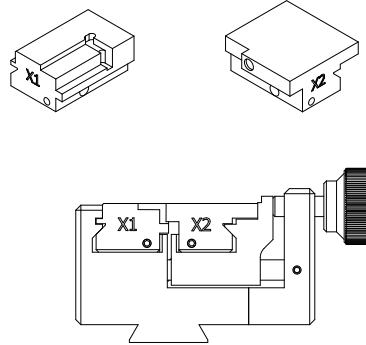
AGGIORNAMENTI DEL CAT.MACCHINE MACHINE CAT. UPDATES

FOR: AVOCET®



ABS MASTER

X1-X2



3F

STD



Trecode NXT

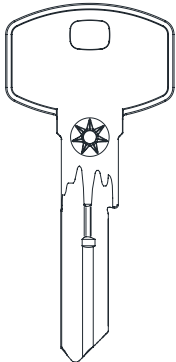
F-13W

STD



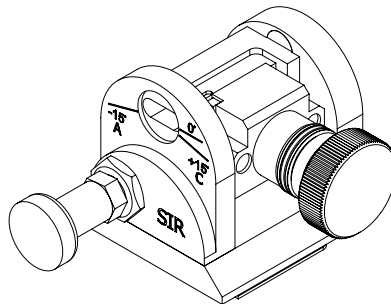
Novacode

FOR: DOM®



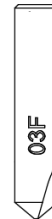
RS Sigma
RS Sirius

SIR



3F

STD



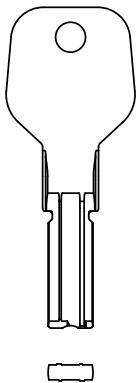
Trecode NXT

FI-3W



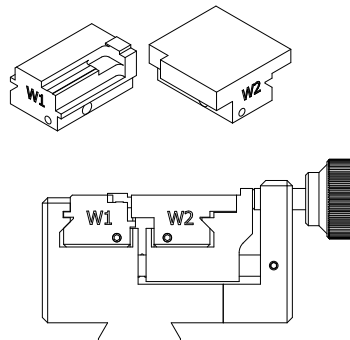
Novacode

FOR: EVVA®



AKURA 44

W1-W2



17F



Trecode NXT

F-53W

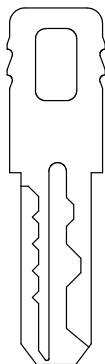


Novacode

AGGIORNAMENTI DEL CAT.MACCHINE

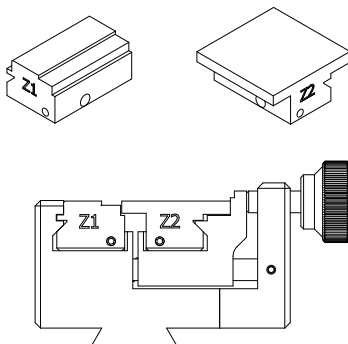
MACHINE CAT. UPDATES

FOR: SISO®



MIC

Z1-Z2



12F



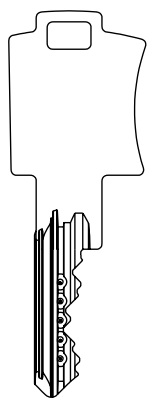
Trecode NXT

F-3W



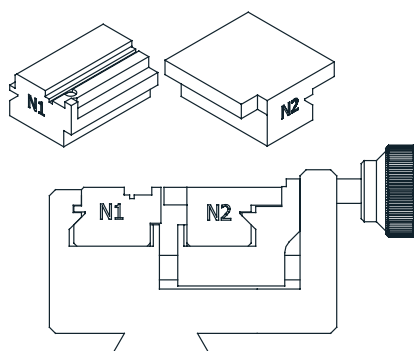
Novacode

FOR: WINK-HAUS®



OVSX

N1-N2



3F

STD



Trecode NXT

FI-3W



Novacode



AGGIORNAMENTI SOFTWARE / SOFTWARE UPDATES

FOR	COD./REF.	PROFILO	SERIE	PER/FOR	FILE
ABUS®	AU57L	E.....	00001-030001	ABUS D10/D15	919P
AMIG®	AMG5R	205001X009-308088X068	AMIG 20000-SX (DIMPLE) (6P)	1689P
	AMG5R	205001X009-308088X068	AMIG 20000-SX (SNAKE) (5W)	1690P
BASI®	ORIGINALBASI35	1234567890A	X50	1087
BYD®	DEALER_ORIGINALB-YD_F1343	1234567	6P	1343
	DEALER_ORIGINALB-YD_F1344	12345678	9P	1344
CISA®	C25TAM	00001-38832	ASIX XN007210 (6 PINS)	42P
EUROPLUS®	EUR1R	..	12345678	EURO PLUS	61
EUROSECURE®	ESC2R	M.....	300001-326641	EURO SECURE	63
	ESC2R	B.....	300001-326641	EURO SECURE	63
	ESC2R	M.....	300001-326641	EURO SECURE (NEW)	163
FAB®	ORIGINALFABNG	L.....	00011-A6334	YALE 500 R5	1308
	ORIGINALFABNG	033330-199974	YALE 600 KM R2	1309
	ORIGINALFABNG	033330-199974	YALE 600 R103	1309
GEVY®	GEV1	12345	GEVY 5P	1696P
	GEV1	12345	GEVY 5P+4P	1698P
	ORIGINALGEVY	12345	GEVY 6P	1380
	ORIGINALGEVY	12345	GEVY 5P	1380
KWIKSET®	KT1T	123456	CORBIN 80 & RUSSWIN 751	1088
MOTTURA®	MO3	12345	GEVY 6P	1697P
	MO3	12345	GEVY 6P+5P	1700P
MUL.T.LOCK®	ML1RP169	ABCD	JUNIOR (5+5 TWO SIDE)	166P
SIMPLEX®	SM4P48	U.....U	75321		1095
	SM4P48	V.....U	75321		1095
	SM4P48	Y.....U	75321		1095
	SM4P48	.D....Q	75321		1095



Errebi s.p.a. Unipersonale
Cibiana di Cadore (BL) - ITALY
Tel 0435 542500
Fax 0435 542522
www.errebispa.com
info@errebispa.com

Errebi Deutschland GmbH
Velbert - GERMANY
Tel. (02053) 49 62-0
Fax. (02053) 49 62-22
www.errebi-gmbh.de



Altuna Group

